

TA7344P

T-77-11

PRE AMPLIFIER

The TA7344P is suit for reciver of remote control and super regeneration amplifier.

FUNCTION

- . Regulator, Pre Amp, Peak Detector, Schmitt.
- . Regulated Voltage Output
- . Supply Voltage Range : $V_{opr}=6\sim 12V$
- . Recommended Supply Voltage Range : $V_{CC}=6.5\sim 10V$

MAXIMUM RATINGS ($T_a=25^\circ C$)

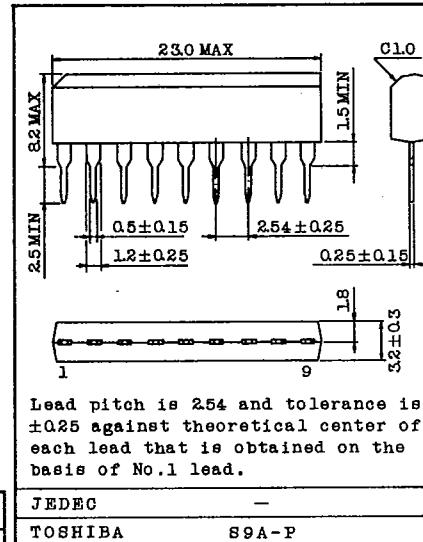
CHARACTERISTIC	SYMBOL	RATING	UNIT
Supply Voltage	V_{CC}	12	V
1 Pin Output Current	I_1	5	mA
Power Dissipation (Note)	P_D	400	mW
Operating Temperature	T_{opr}	$-25\sim 75$	$^\circ C$
Storage Temperature	T_{stg}	$-55\sim 150$	$^\circ C$

Note : Derated above $T_a=25^\circ C$ in the proportion of $4mW/^\circ C$.

ELECTRICAL CHARACTERISTICS ($T_a=25^\circ C$, $V_{CC}=9V$)

CHARACTERISTIC	SYMBOL	TEST CIR-CUIT	TEST CONDITION	MIN.	TYP.	MAX.	UNIT
Supply Current	I_{CC}	-	$V_{IN}=0$	4.0	6.3	8.5	mA
1 Pin Voltage	V_1	-	$V_{IN}=0$	4.7	5.0	5.3	V
6 Pin Voltage	V_6	-	$V_{IN}=0$	2.0	2.5	3.0	V
Voltage Gain	G_v	-	$f=1kHz$	64	67	70	dB
6 Pin Output Voltage	V_{OUT}	-	$f=1kHz$	4.0	4.8	-	V_{p-p}
Output Voltage	"H" Level	V_{8H}	$V_7=2.3V$	8.0	-	-	V
	"L" Level	V_{8L}	$V_7=1.9V$	-	-	1.0	V
Hysteresis	V_H	-		-	1.0	-	dB

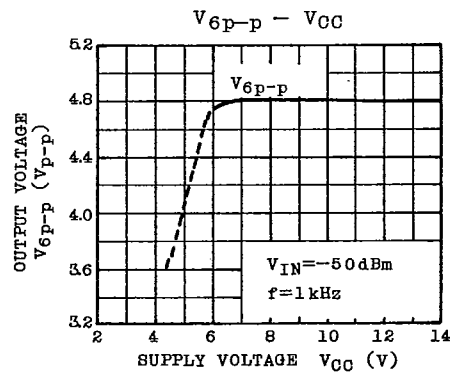
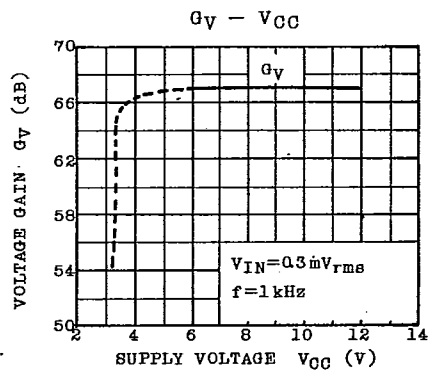
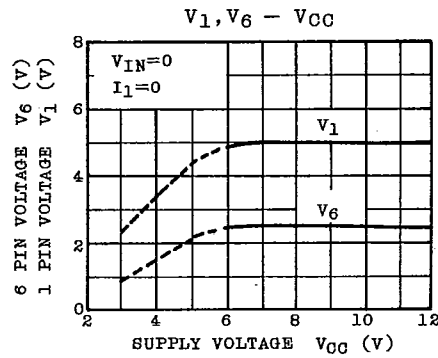
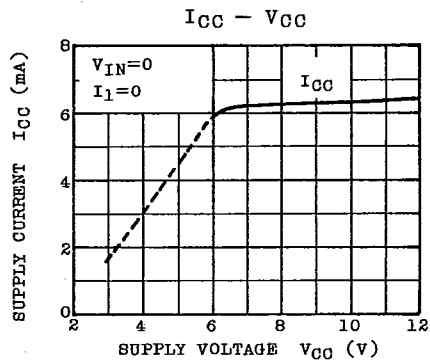
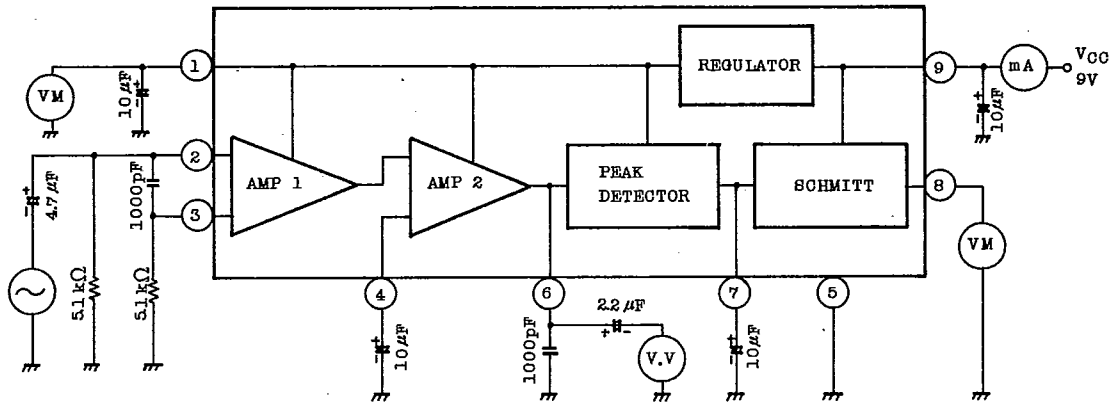
Unit in mm



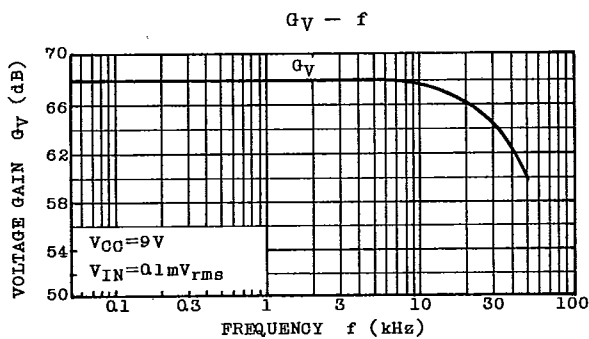
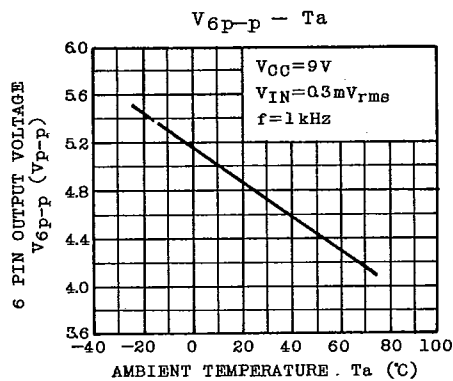
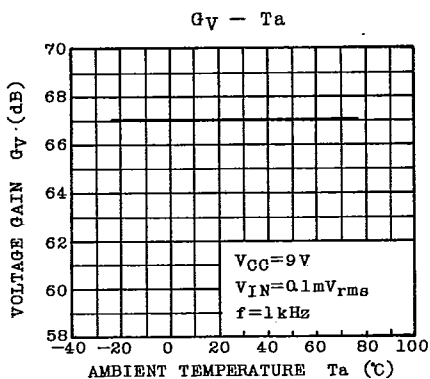
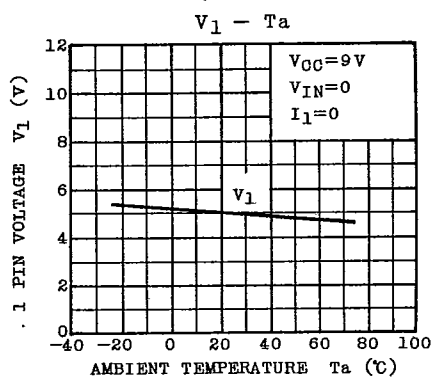
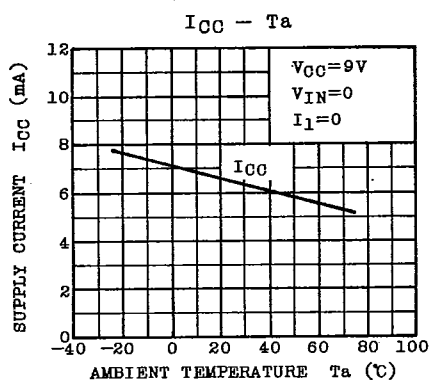
AUDIO LINEAR IC

TA7344P

BLOCK DIAGRAM/TEST CIRCUIT



TA7344P

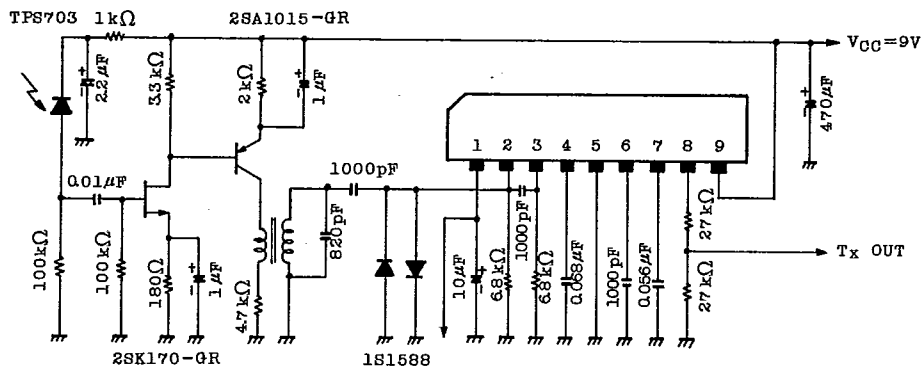


AUDIO LINEAR IC

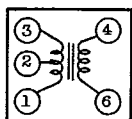
TA7344P

APPLICATION

1. RECEIVER OF REMOTE CONTROL

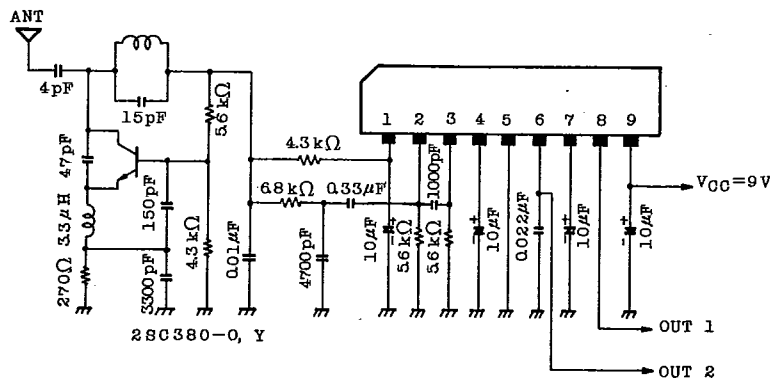


V_{stb} 5V (Typ.)



	TURNS		INDUCTANCE
① - ③	600T	2UEW-0.08φ	17.5mH
① - ②	103T	2UEW-0.08φ	16.6mH
④ - ⑥	43T	2UEW-0.08φ	134μH

2. SUPER REGENERATION AMPLIFIER



OUT 1 : In case of modulation frequency is "H" level, and no modulation frequency is "L" level.

OUT 2 : Amplifier output.